



Technical Features



RAL 9016 standard



Other colors on request



Range
Up to 2,8 m



Airflow / Length
1400 - 2900 m³/h
1 m to 2 m



Fan
Tangential
2-speed



Heating type
E : electrical 2 stages
P : water
A : unheated



Heating capacity
E : 3,8 - 11,3 kW
P : 8,2- 16,7 kW



Control
Plug&Play manual regulator
+ IR remote control
(Optional Clever Control)



Casing
Galvanised steel



Inlet grille
Micro-perforated
with prefilter function



Outlet lamellas
Aluminium, airfoil type

OPTIMA air curtain is ideal for most of the commercial entrances up to 2,8 meters high. A small and compact air curtain of friendly design with rounded shape and edges. It incorporates tangential fans with low noise twisted profile turbine and 2-speed external rotor motor. Includes Plug&Play control with 7m RJ45 cable and infrared remote control. Optionally can be regulated with Advanced Clever Control (programmable, automatic, intelligent, compatible with Modbus RTU for BMS).

❄ UNHEATED

Model	Airflow m ³ /h	Ventilation power 230V~50Hz W	Ventilation current 230V~50Hz A	Noise level (5 m) dB(A)	Weight kg
OPT 1000 A	1500	80	0,41	35/50	17,5
OPT 1500 A	2150	117	0,53	36/51	25,5
OPT 2000 A	2900	160	0,82	38/53	33

⚡ ELECTRIC HEATED

Model	Airflow m ³ /h	Electrical heating capacity (**) kW	Power supply	Ventilation power 230V~50Hz W	Ventilation current 230V~50Hz A	Noise level (5 m) dB(A)	Weight kg
OPT 1000 E	1500	3,8/5,6	400Vx3	80	0,41	35/50	20,5
OPT 1000 E-9	1500	6/9	400Vx3	80	0,41	35/50	21,5
OPT 1000 E230	1500	3,8/5,6	230Vx1	80	0,41	35/50	20,5
OPT 1500 E	2150	6/9	400Vx3	117	0,53	36/51	27,5
OPT 1500 E230-6	2150	3,8/5,6	230Vx1	117	0,53	36/51	27,5
OPT 1500 E230-9	2150	6/9	230Vx1 (*)	117	0,53	36/51	27,5
OPT 2000 E	2900	5,6/11,3	400Vx3	160	0,82	38/53	42
OPT 2000 E230	2900	5,6/11,3	230Vx1 (*)	160	0,82	38/53	42

(*) 2 separated power supplies. (**) Under request other electrical heating power can be limited.

💧 WATER HEATED

Model	Airflow m ³ /h	Heating capacity 80/60°C kW	Water pressure drop Pa	Ventilation power 230V~50Hz W	Ventilation current 230V~50Hz A	Noise level (5 m) dB(A)	Weight kg
OPT 1000 P	1400	8,2	7090	80	0,41	37/51	20,5
OPT 1500 P	2100	12,7	7200	117	0,53	38/52	27,5
OPT 2000 P	2750	16,7	6550	160	0,82	40/54	37,5

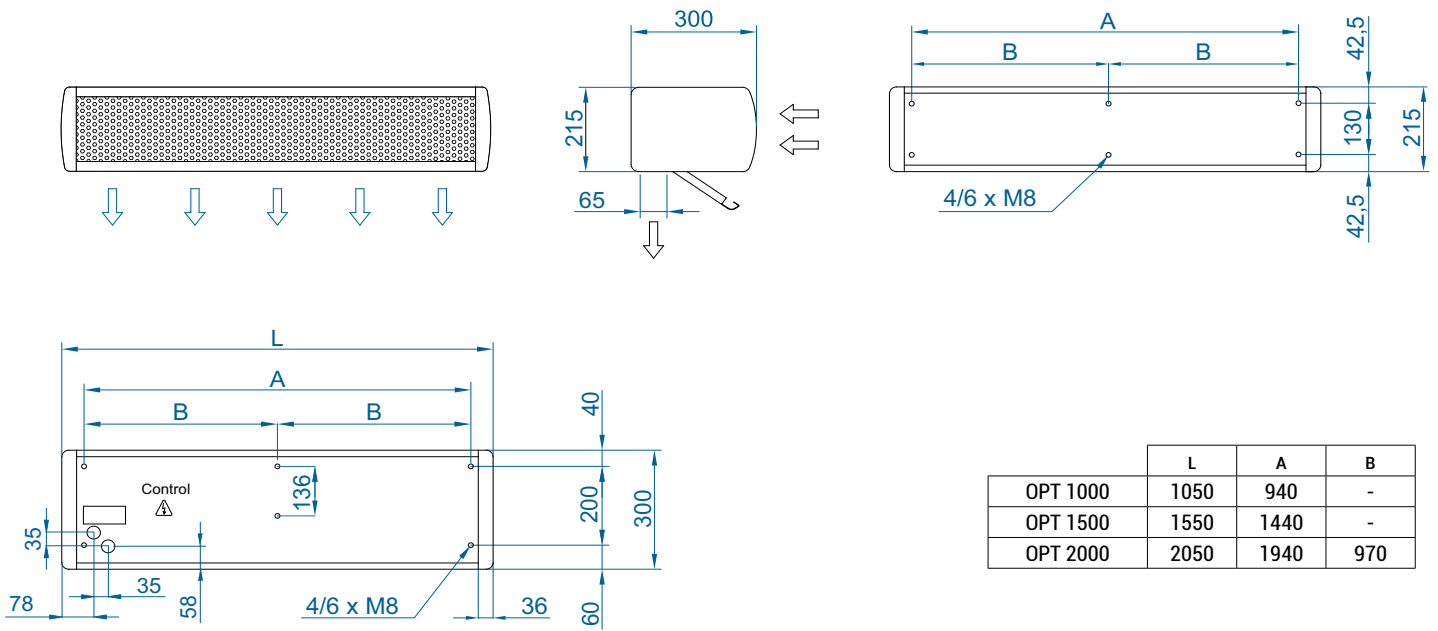
Water heated: connection pipes 1/2" female. 2 rows coil.



Selection program



Dimensions

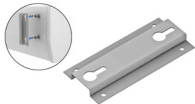


Optional accessories

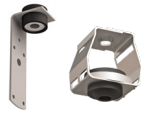
Supports and installation



Wall rail support
SPWR



Omega wall support
SPT2



Silentblock supports
SPANG-SIL / SLB



Suspension cables
SPCT

Control



IR Control
✓ Included



Basic Control
✓ Included



Clever Control Kit



RJ45 Cable
✓ Included



Hand-Auto
CH-2HO-NE



Ambient thermostat
T6360



Interface kit
IN-NE-II

Sensors and valves



Mechanical door contact
MEC-DC



Magnetic door contact
MAG-DC



External Temperature
Sensor (Clever Control)



Solenoid valve
V-S



Valve 3 ways
V-T



Proportional valve
V-ACT



Anti-freezing sensor
AFS-INS

CAD drawings, BIM files, installation
manuals and other documentation

