

## ISCO2-P | Wall sensor - display of CO<sub>2</sub> concentration

The sensor is designed for displaying CO<sub>2</sub> concentration and temperature inside interiors. It has the option to set desired CO<sub>2</sub> level by a trimmer on back side. Exceeding the set CO<sub>2</sub> level is indicated and built-in relay will switch for turning on the ventilation.

- > temperature measuring range 0 - 40 °C
- > CO<sub>2</sub> measuring range 400 - 5000 ppm
- > adjustable desired level of CO<sub>2</sub>
- > visual and audible indication when exceeding the set CO<sub>2</sub> level
- > NO-C relay contact for ventilation control
- > intended for offices and living spaces

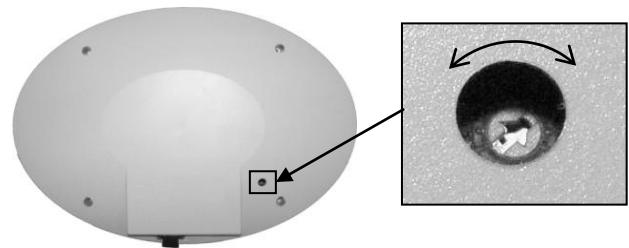


### Technical data

Parameter	Value	Units
<b>Temperature</b>		
Measuring range	0 – 40	°C
Accuracy	+/- 0,5	°C
<b>CO<sub>2</sub></b>		
Measuring range	400 – 5000	ppm
Startup	2	min
Resolution	1	ppm
Accuracy	50 +/- 5% of reading	ppm
Repeatability	10 +/- 1% of reading	ppm
Long-term stability	+/- 50	ppm / year
Pressure dependency	1,6	% / kPa
Calibration	factory	-
Hysteresis	100	ppm
<b>Other parameters</b>		
Power supply	AC adapter 5VDC/1,2A	
NO-C contact	max 250VAC/6A	
Working temperature	0 to +50	°C
Working humidity	5 to 95%	RH
Storage temperature	-20 to +60	°C
Expected lifetime	min. 10	years

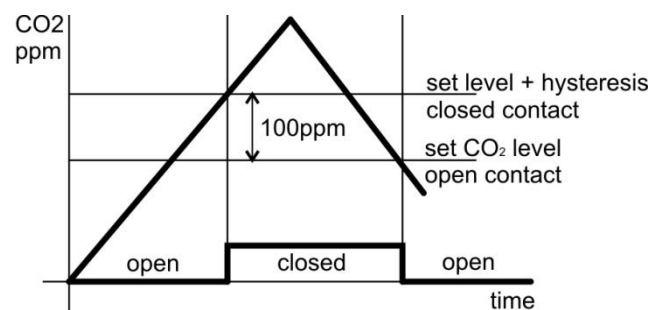
Explanation of abbreviations and technical terms can be found on our website in the [Glossary](#) section.

### Setting the desired CO<sub>2</sub> concentration



- While turning the trimmer, instead actual temperature, „CO2“ is displayed.
- When the set limit is exceeded, displayed concentration will light intermittently.

### Relay contact hysteresis

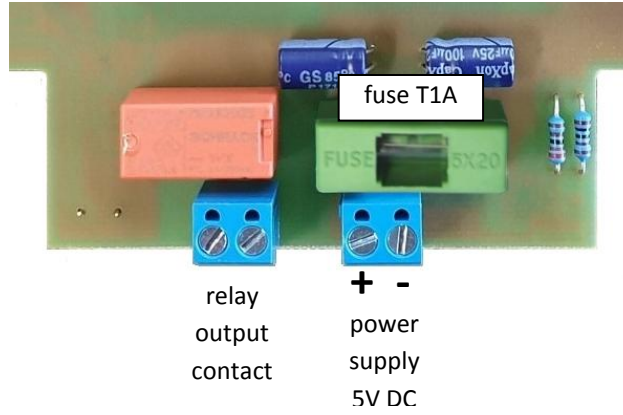


- Relay contact will close after the set value is exceeded by 100ppm.
- Relay contact will open after the concentration drops below the set value.
- Minimal duration of one relay state is 30s.



**ISCO2-P | Wall sensor - display of CO<sub>2</sub> concentration**

**Terminals**



**Dimensions**

